

Dell™ PowerVault™  
600 Systems

Getting Started  
With Your System

系统使用入门

はじめに

시스템 시작하기

Model MVT01





Dell™ PowerVault™  
600 Systems

Getting Started  
With Your System

Model MVT01



# Notes, Notices, and Cautions



**NOTE:** A NOTE indicates important information that helps you make better use of your computer.



**NOTICE:** A NOTICE indicates either potential damage to hardware or loss of data and tells you how to avoid the problem.



**CAUTION:** A CAUTION indicates a potential for property damage, personal injury, or death.

---

**Information in this document is subject to change without notice.**

**© 2007 Dell Inc. All rights reserved.**

Reproduction in any manner whatsoever without the written permission of Dell Inc. is strictly forbidden.

Trademarks used in this text: *Dell*, the *DELL* logo, and *PowerVault*, are trademarks of Dell Inc.; *Intel Core* and *Core 2 Duo* are trademarks and *Intel*, *Pentium* and *Xeon* are registered trademarks of Intel Corporation in the U.S. and other countries; *Microsoft*, *Windows*, and *Windows Storage Server* are either trademarks or registered trademarks of Microsoft Corporation in the United States and/or other countries.

Other trademarks and trade names may be used in this document to refer to either the entities claiming the marks and names or their products. Dell Inc. disclaims any proprietary interest in trademarks and trade names other than its own.

Model MVT01

September 2007

P/N JU364

Rev. A00

# Contents

<b>System Features</b> . . . . .	<b>5</b>
<b>Supported Operating Systems</b> . . . . .	<b>7</b>
<b>Other Information You May Need</b> . . . . .	<b>7</b>
<b>Obtaining Technical Assistance</b> . . . . .	<b>7</b>
<b>Installation and Configuration</b> . . . . .	<b>8</b>
Unpacking the System . . . . .	8
Installing the Rails and System in a Rack . . . . .	9
Connecting the Keyboard, Mouse, and Monitor . . . . .	10
Connecting the Power . . . . .	10
Installing the Power Cord Retention Bracket . . . . .	11
Turning on the System . . . . .	11
Installing the Bezel . . . . .	12
<b>Complete the Operating System Setup</b> . . . . .	<b>12</b>
<b>Technical Specifications</b> . . . . .	<b>12</b>
Index . . . . .	17



# System Features

The major hardware and software features of your system include:

- One or two Dual-Core Intel® Xeon® Processors 5000 Sequence.
- Support for symmetric multiprocessing (SMP), which is available on systems with two Intel Xeon processors. SMP greatly improves overall system performance by dividing processor operations between independent processors. To take advantage of this feature, you must use an operating system that supports multiprocessing.



**NOTE:** If you decide to upgrade your system by installing a second processor, you must order the processor upgrade kits from your supplier. Not all versions of the Intel Xeon processor will work properly as additional processors. The upgrade kit contains the correct version of the processor, heat sink, and fan as well as the instructions for performing the upgrade.

- A minimum of 512 MB of 533 or 667 MHz (when available), Fully Buffered DIMMs (FBD), upgradable to a maximum of 48 GB by installing combinations of 256-MB, 512-MB, 1-GB, 2-GB, or 4-GB memory modules in the twelve memory module sockets on the system board.

The system also features redundant memory, which provides memory sparing or memory mirroring. Either feature is available if eight or twelve identical memory modules are installed.

- Support for up to ten 3.5-inch, internal hot-pluggable Serial-Attached SCSI (SAS) or SATA hard drives (eight 3.5-inch internal hard drives with hot-pluggable backplane board, and support for two additional hot-pluggable 3.5-inch drives in the peripheral bay using the optional 1x2 flexbay backplane board).
- Peripheral bay provides support for an optional optical drive and an optional half-height tape backup unit (TBU). A full-height TBU is supported with the 1x2 flexbay bracket removed.
- An optional single, 1.44-MB, 3.5-inch diskette drive.
- An optional CD, DVD, or combination CD-RW/DVD drive.



**NOTE:** DVD devices are data only.

- An intrusion switch that signals the appropriate systems management software if the top cover is opened.
- Up to two hot-pluggable, 930-W power supplies in a 1 + 1 redundant configuration.
- Six hot-pluggable system cooling fans.

The system board includes the following features:

- Six PCI slots located in an expansion-card cage. Slots 1 and 2 are 3.3-V, 64-bit, 133-MHz PCI-X slots; slot 3 is a 3.3-V, PCIe x8 lane; slots 4 through 6 are 3.3-V, PCIe x4 lanes. Expansion-card slots accommodate full-height, full-length expansion cards. PCIe slots accommodate up to x8 expansion cards.
- Dedicated PCI slot for an integrated SAS host bus adapter or an optional integrated RAID controller card with 256 MB of cache memory and a RAID battery.



**NOTE:** System boot is not supported from an external device attached to a SAS or SCSI adapter, including SAS 5/E, PERC 5/E, or PERC 4e/DC. Contact your technical support provider for the latest support information about booting from external devices.

- Two integrated Gigabit Ethernet NICs, capable of supporting 10-Mbps, 100-Mbps, and 1000-Mbps data rates.
- Six USB 2.0-compliant connectors (two on the front and four on the back) capable of supporting a diskette drive, a CD-ROM or DVD-ROM drive, a keyboard, a mouse, or a USB flash drive.
- Optional remote access controller (RAC) for remote systems management.
- An integrated VGA-compatible video subsystem with an ATI ES1000, 33-MHz PCI video controller. This video subsystem contains 16 MB of DDR SDRAM video memory (nonupgradable). Maximum resolution is 1600 x 1200 with 64 K colors; true-color graphics are supported in the following resolutions: 640 x 480, 800 x 600, 1024 x 768, 1152 x 864, and 1280 x 1024. When the optional RAC is installed, the video resolution is 1024 X 768.
- Systems management circuitry that monitors operation of the system fans as well as critical system voltages and temperatures. The systems management circuitry works in conjunction with the systems management software.
- Standard baseboard management controller with serial access.
- Back-panel connectors include one serial, one video, four USB, and two NIC connectors.




- Front-panel connectors include a video and two USB connectors.
- Front-panel 1x5 LCD for system ID and error messaging.
- System ID button on the front and back panels.

For more information about specific features, see "Technical Specifications" on page 12.

## Supported Operating Systems

- Microsoft® Windows Storage Server™ 2003 R2 Express Edition (x64)
- Microsoft Windows Storage Server 2003 R2 Workgroup Edition (x64)

## Other Information You May Need

 **CAUTION: The *Product Information Guide* provides important safety and regulatory information. Warranty information may be included within this document or as a separate document.**

- The *Rack Installation Instructions* or *Rack Installation Guide* included with your rack solution describes how to install your system into a rack.
- The *Hardware Owner's Manual* provides information about system features and describes how to troubleshoot the system and install or replace system components. The *Hardware Owner's Manual* is available on the CDs that came with your system or from your technical provider.
- CDs included with your system provide documentation and tools for configuring and managing your system.
- Release notes or readme files may be included to provide last-minute updates to the system or documentation or advanced technical reference material intended for experienced users or technicians.

## Obtaining Technical Assistance

If you do not understand a procedure in this guide or if the system does not perform as expected, see your *Hardware Owner's Manual*.

# Installation and Configuration

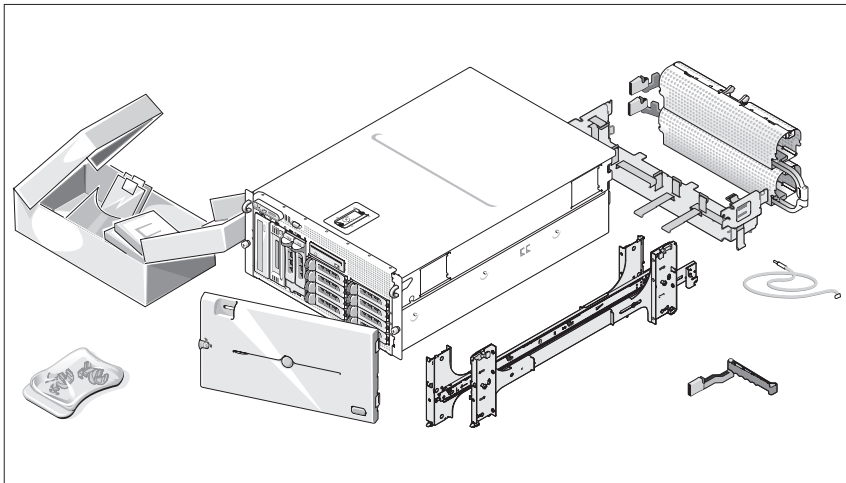
**⚠ CAUTION:** Before performing the following procedure, read and follow the safety instructions and important regulatory information in your *Product Information Guide*.

This section describes the steps to set up your system for the first time. The illustrations that follow show a rack-mounted system, but the installation procedure applies in large part to a stand-alone tower system. In place of the rack installation in step 2, refer to the documentation included with your system on installing the stabilizer feet on your system.

**⚠ CAUTION:** Installing the feet on a stand-alone tower system is necessary to provide a stable foundation for the system. Failure to install the feet poses the risk of having the system tip over, possibly causing bodily injury or damage to the system.

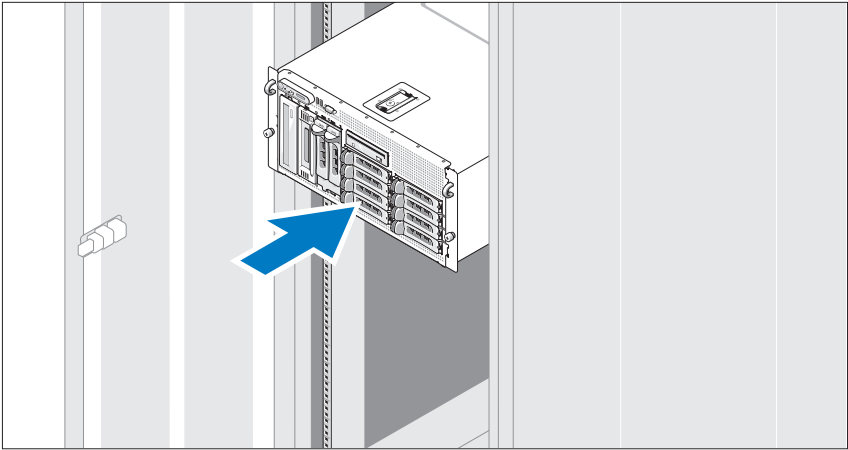
**⚠ CAUTION:** Whenever you need to lift the system, get others to assist you. To avoid injury, do not attempt to lift the system by yourself.

## Unpacking the System



- 1** Unpack your system and identify each item.  
Keep all shipping materials in case you need them later.

## Installing the Rails and System in a Rack

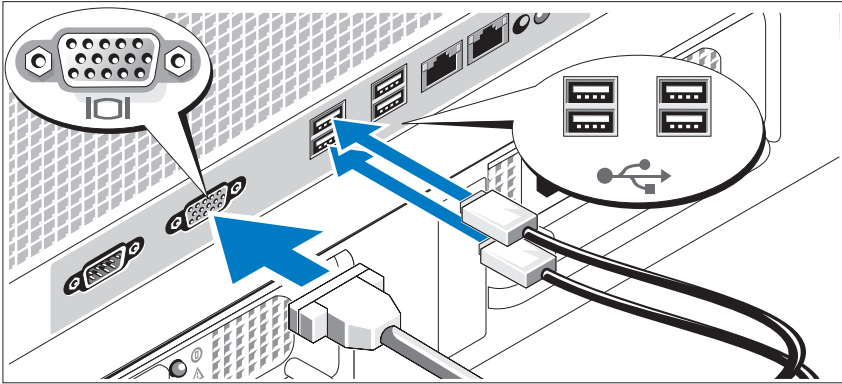


- 2** Once you have read the "Safety Instructions" located in the rack installation documentation for your system, install the rails and the system in the rack.

See your rack installation documentation for instructions on installing your system in a rack.

For a tower system, see the documentation included with your system on installing the system stabilizer feet.

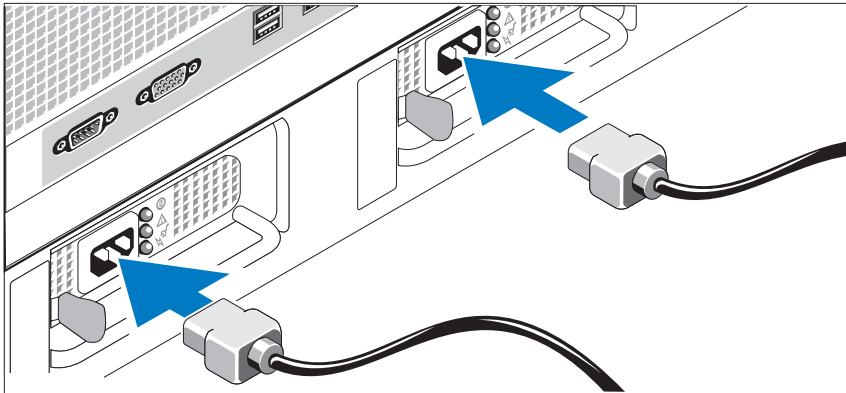
## Connecting the Keyboard, Mouse, and Monitor



- 3 Connect the keyboard, mouse, and monitor (optional).

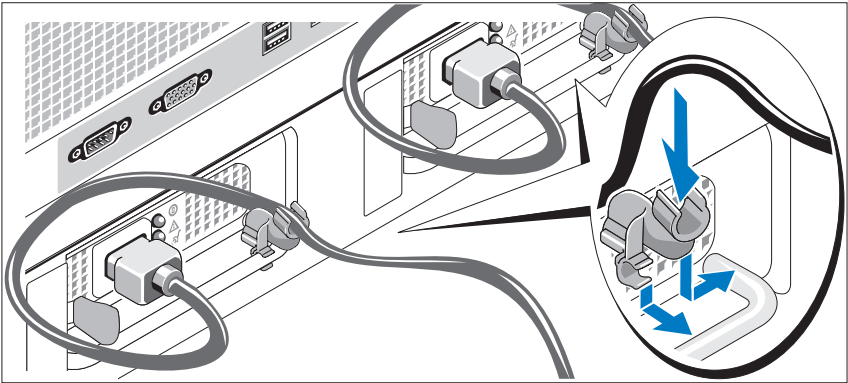
The connectors on the back of your system have icons indicating which cable to plug into each connector. Be sure to tighten the screws (if any) on the monitor's cable connector.

## Connecting the Power



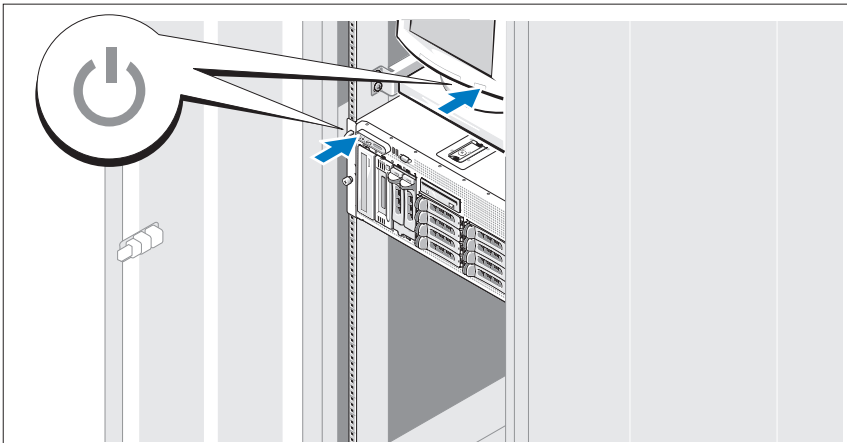
- 4 Connect the system's power cable(s) to the system.
- 5 Plug the other end of the cable into a grounded electrical outlet or a separate power source such as an uninterruptible power supply (UPS) or a power distribution unit (PDU).

## Installing the Power Cord Retention Bracket



- 6 Attach the power cord retention bracket on the right bend of the power supply handle. Bend the system power cable into a loop as shown in the illustration and attach to the bracket's cable clasp. Repeat the procedure for the second power supply.

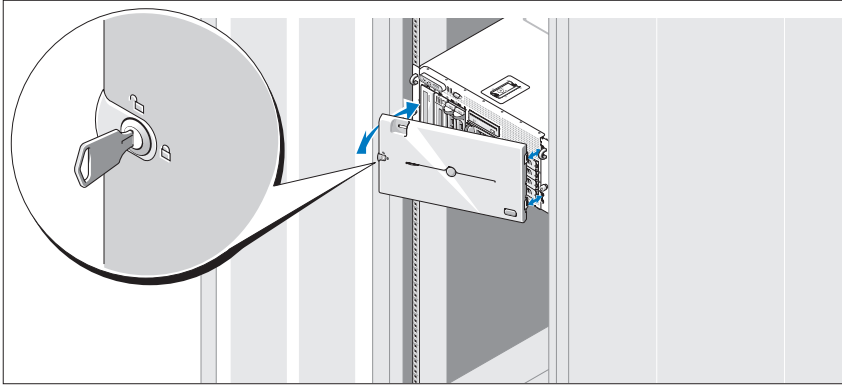
## Turning on the System



- 7 Turn on the system and monitor (optional).

Press the power button on the system and the monitor. The power indicators should light. Adjust the monitor's controls until the displayed image is satisfactory.

## Installing the Bezel



- 8 Install the bezel (optional).

## Complete the Operating System Setup

If you purchased a preinstalled operating system, see the operating system documentation that ships with your system. To install an operating system for the first time, see the *Quick Installation Guide*. Be sure the operating system is installed before installing hardware or software not purchased with the system.

## Technical Specifications

---

### Processor

---

Processor type	One or two Dual-Core Intel Xeon Processors 5000 Sequence
----------------	--

---

### Expansion Bus

---

Bus type	PCI, PCI-X, PCIe
Expansion slots	
PCI-X	two full-height, full-length 3.3-V, 64-bit, 133-MHz (slots 1 and 2)
PCIe	one x8 lane, 3.3-V (slot 3) three x4 lanes, 3.3-V (slots 4 through 6)

---

**Memory**

---

Architecture	533 or 667 MHz (when available) Fully Buffered DIMMs (FBD)
Memory module sockets	twelve 240-pin
Memory module capacities	256 MB, 512 MB, 1 GB, 2 GB, or 4 GB
Minimum RAM	512 MB (two 256-MB module)
Maximum RAM	48 GB

---

**Drives**

---

Hard drives	up to ten 3.5-inch, internal, hot-plug SAS or SATA <ul style="list-style-type: none"><li>• eight drives in the internal drive bay</li><li>• two drives in the optional 1x2 flexbay backplane expansion</li></ul>
Diskette drive	one optional 3.5-inch, 1.44-MB external optional USB 3.5-inch, 1.44-MB
Optical drive	one optional CD, DVD, or combination CD-RW/DVD <b>NOTE:</b> DVD devices are data only. external optional USB CD-ROM external optional USB DVD-ROM
Flash drive	external optional USB

---

**Connectors**

---

**Back**

NIC	Two TOE-capable RJ-45 (for integrated 1-GB NICs)
Serial	9-pin, DTE, 16550-compatible
USB	Four 4-pin, USB 2.0-compliant
Video	15-pin VGA

---

**Connectors** *(continued)*

---

**Front**

Video	15-pin VGA
USB	Two 4-pin, USB 2.0-compliant

---

**Video**

Video type	ATI ES1000 video controller; VGA connectors
Video memory	16 MB of DDR SDRAM

---

**Power****AC power supply (per power supply)**

Wattage	930 W
Voltage	90–264 VAC, autoranging, 47–63 Hz
Heat dissipation	2697 BTU/hr maximum
Maximum inrush current	Under typical line conditions and over the entire system ambient operating range, the inrush current may reach 55 A per power supply for 10 ms or less

**Batteries**

System battery	CR 2032 3.0-V lithium ion coin cell
RAID battery (optional)	4.1-V lithium ion

---

**Physical****Rack**

Height	21.77 cm (8.57 in)
Width	44.27 cm (17.43 in) chassis only 48.27 cm (19 in) with rack flanges
Depth	66.13 cm (26.04 in) does not include control panel or bezel; control panel adds an additional 1.3 cm (.51 in)
Weight (maximum configuration)	45.36 kg (100 lb)



---

**Physical** *(continued)*

---

**Tower (without bezel)**

Height	47.89 cm (18.85 in) with feet, no casters
Width	22.66 cm (8.92 in)
Depth	66.13 cm (26.04 in) does not include control panel or bezel; control panel adds an additional 1.3 cm (.51 in)
Weight (maximum configuration)	49.9 kg (110 lb)

---

**Environmental**

---

**NOTE:** For additional information about environmental measurements for specific system configurations, contact your technical support provider.

**Temperature**

Operating	10° to 35°C (50° to 95°F)
Storage	-40° to 65°C (-40° to 149°F)

**Relative humidity**

Operating	20% to 80% (noncondensing) with a maximum humidity gradation of 10% per hour
Storage	5% to 95% (noncondensing)

**Maximum vibration**

Operating	0.26 G from 5–350Hz for 2 min in the Z axis
Storage	1.54 G from 10–250 Hz for 15 min in all orientations

**Maximum shock**

Operating	One shock pulse in the positive z axis (one pulse on each side of the system) of 41 G for up to 2 ms
Storage	Six consecutively executed shock pulses in the positive and negative x, y, and z axes (one pulse on each side of the system) of 71 G for up to 2 ms

**Altitude**

Operating	-16 to 3,048 m (-50 to 10,000 ft)
Storage	-16 to 10,600 m (-50 to 35,000 ft)

---



# Index

## C

combination CD-RW/DVD, 5

## E

expansion-card cage, 6

## I

installation and configuration, 8

integrated RAID controller, 6

## M

memory, 5

interleaving, 5

## N

NICs, 6

## P

processors, 5

## R

remote access controller

remote systems management, 6

remote access controller card, 6

remote systems management

remote access controller card, 6

## S

supported Operating Systems, 7

symmetric multiprocessing  
(SMP), 5

system features, 5

CD drive, 5

diskette drive, 5

DVD drive, 5

memory, 5

NICs, 6

power supply, 5

processors, 5

system features (*continued*)  
remote access controller card, 6  
symmetric multiprocessing  
(SMP), 5  
USB, 6  
video controller, 6

## **T**

technical assistance, 7  
technical specifications, 12

## **V**

video controller, 6

Dell™ PowerVault™ 600

# 系统使用入门

型号 MVT01



## 注、注意和警告



**注：**“注”表示可以帮助您更好地使用计算机的重要信息。



**注意：**“注意”表示可能会损坏硬件或导致数据丢失，并告诉您如何避免此类问题。



**警告：**“警告”表示可能会出现导致财产损失、人身伤害甚至死亡的情况。

---

本说明文件中的信息如有更改，恕不另行通知。

© 2007 Dell Inc. 版权所有，翻印必究。

未经 Dell Inc. 书面许可，严禁以任何形式进行复制。

本文中使用的商标：*Dell*、*DELL* 徽标和 *PowerVault* 是 Dell Inc. 的商标；*Intel Core* 和 *Core 2 Duo* 是 Intel Corporation 在美国和其他国家/地区的商标而 *Intel*、*Pentium* 和 *Xeon* 是 Intel Corporation 在美国和其他国家/地区的注册商标；*Microsoft*、*Windows* 和 *Windows Storage Server* 是 Microsoft Corporation 在美国和/或其他国家/地区的商标或注册商标。

本文中提及的其它商标和产品名称是指拥有相应商标和名称的公司或其制造的产品。Dell Inc. 对本公司的商标和产品名称之外的其它商标和产品名称不拥有任何专有权。

**型号 MVT01**

**2007 年 9 月**

**P/N JU364**

**修订版 A00**

# 目录

系统配置	23
支持的操作系统	25
您可能需要的其它信息	25
获得技术帮助	25
安装和配置	26
打开系统包装	26
在机架中安装滑轨和系统	27
连接键盘、鼠标和显示器	28
连接电源	28
安装电源线固定支架	29
开启系统	29
安装挡板	30
完成操作系统安装	30
技术规格	30
索引	35





# 系统配置

系统的主要硬件和软件配置包括：

- 一个或两个双核 Intel® Xeon® 处理器 5000 序列。
- 支持对称多处理 (SMP)，配备两个 Intel Xeon 处理器的系统具有此功能。SMP 通过在独立的处理器之间分配处理器操作，从而极大地改善了系统整体性能。要使用此功能，必须使用支持多处理的操作系统。



**注：**如果您准备安装第二个处理器来升级系统，则必须向供应商订购处理器升级套件。并非所有版本的 Intel Xeon 处理器均可作为附加处理器正常工作。升级套件包含正确版本的处理器、散热器和风扇，以及执行升级的说明。

- 至少 512 MB 的 533 或 667 MHz（可用时）全缓冲 DIMM (FBD)，通过在系统板上的十二个内存模块插槽中安装 256 MB、512 MB、1 GB、2 GB 或 4 GB 内存模块组合，最大可升级至 48 GB。

系统还配置了冗余内存，可提供内存冗余或内存镜像功能。如果安装了八个或十二个完全相同的内存模块，则同时提供内存冗余或内存镜像功能。

- 支持多达十个 3.5 英寸内部热插拔串行连接的 SCSI (SAS) 或 SATA 硬盘驱动器（热插拔背板支持八个 3.5 英寸内部硬盘驱动器，使用可选的 1x2 灵活托架背板可支持在外部设备托架中另外安装两个热插拔 3.5 英寸驱动器）。
- 外围设备托架可支持一个可选的光盘驱动器和一个可选的半高磁带备份装置 (TBU)。卸下 1x2 灵活托架支架后，可支持一个全高 TBU。
- 一个可选的 1.44 MB 3.5 英寸软盘驱动器。
- 一个可选的 CD、DVD 或组合 CD-RW/DVD 驱动器。



**注：**DVD 设备仅用于数据。

- 防盗开关，在顶盖被打开时会向相应的系统管理软件发送信号。
- 多达两个 930 W 热插拔电源设备（1 + 1 冗余配置）。
- 六个热插拔系统冷却风扇。

系统板包含以下配置：

- 位于扩充卡固定框架上的六个 PCI 插槽。插槽 1 和 2 是 3.3 V、64 位、133 MHz PCI-X 插槽；插槽 3 是一个 3.3 V、PCIe x8 信道插槽；插槽 4 至插槽 6 是 3.3 V、PCIe x4 信道插槽。扩充卡插槽可以安装全高、全长扩充卡。PCIe 插槽可以安装多达 x8 个扩充卡。
- 专用 PCI 插槽，用于安装集成的 SAS 主机总线适配器或配有 256 MB 高速缓存存储器和 RAID 电池的可选集成 RAID 控制器卡。



**注：**不支持从连接到 SAS 或 SCSI 适配器的外部设备引导系统，包括 SAS 5/E、PERC 5/E 或 PERC 4e/DC。有关支持从外部设备引导的最新信息，请与您的技术支持供应商联系。


- 两个集成的千兆位以太网 NIC，可支持 10 Mbps、100 Mbps 和 1000 Mbps 数据速率。
- 六个 USB 2.0 兼容连接器（两个在正面，四个在背面），可以支持软盘驱动器、CD-ROM 或 DVD-ROM 驱动器、键盘、鼠标或 USB 快擦写驱动器。
- 可选的远程访问控制器 (RAC)，用于远程系统管理。
- VGA 兼容集成视频子系统，带有 ATI ES1000、33 MHz PCI 视频控制器。此视频子系统包含 16 MB 的 DDR SDRAM 视频内存（不可升级）。使用 64 K 色时最大分辨率为 1600 x 1200；以下分辨率支持真彩色图形：640 x 480、800 x 600、1024 x 768、1152 x 864 和 1280 x 1024。如果安装了可选的 RAC，则视频分辨率为 1024 x 768。
- 系统管理电路，可监测系统风扇的运行以及系统临界电压和温度。系统管理电路需要与系统管理软件配合工作。
- 标准底板管理控制器，支持串行访问。
- 背面板连接器包括一个串行连接器、一个视频连接器、四个 USB 连接器和两个 NIC 连接器。
- 前面板连接器包括一个视频连接器和两个 USB 连接器。
- 前面板 1x5 液晶显示屏，用于显示系统 ID 和错误信息。
- 系统 ID 按钮，位于前面板和背面板上。

有关特定配置的详情，请参阅第 30 页的“技术规格”。

## 支持的操作系统

- Microsoft® Windows Storage Server™ 2003 R2 Express Edition (x64)
- Microsoft Windows Storage Server 2003 R2 Workgroup Edition (x64)

## 您可能需要的其它信息

 **警告：**《产品信息指南》提供了重要的安全与管制信息。保修信息可能附带在该说明文件中，也可能作为单独的说明文件提供。

- 随机架解决方案附带的《机架安装说明》或《机架安装指南》，介绍了如何在机架中安装系统。
- 《硬件用户手册》提供了有关系统配置的信息，并介绍了如何排除系统故障以及如何安装或更换系统组件。《硬件用户手册》可在随系统附带的 CD 或从技术供应商处获得。
- 随系统附带的 CD 提供了用于配置和管理系统的说明文件和工具。
- 系统可能附带版本注释或自述文件，以提供系统或说明文件的最新更新内容，或者为有经验的用户或技术人员提供高级技术参考资料。

## 获得技术帮助

如果您对本指南中的步骤有疑问，或系统运行无法达到预期效果，请参阅《硬件用户手册》。

## 安装和配置

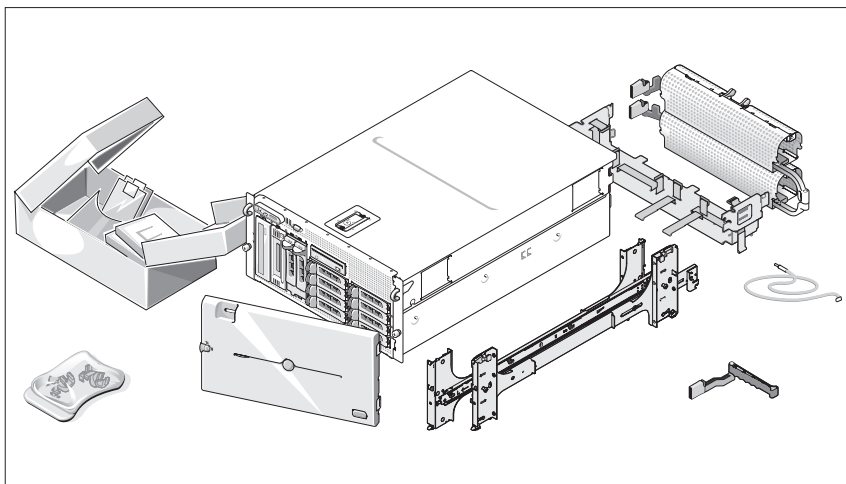
**警告：** 在执行以下过程之前，请阅读并遵循《产品信息指南》中的安全说明和重要的管制信息。

本节介绍初次安装系统时的步骤。随后的图例显示了一个机架固定式系统，但安装过程大体上适用于独立的塔式系统。关于在系统上安装稳定支脚，请参阅随系统附带的说明文件，以替代步骤 2 中的机架安装。

**警告：** 要为系统提供稳固的基础，需要在独立的塔式系统上安装支脚。如果未安装支脚，可能存在导致系统倾翻的危险，从而可能造成人身伤害或损坏系统。

**警告：** 无论何时您需要抬起系统，均需找他人协助。为了避免造成伤害，请勿尝试自行抬起系统。

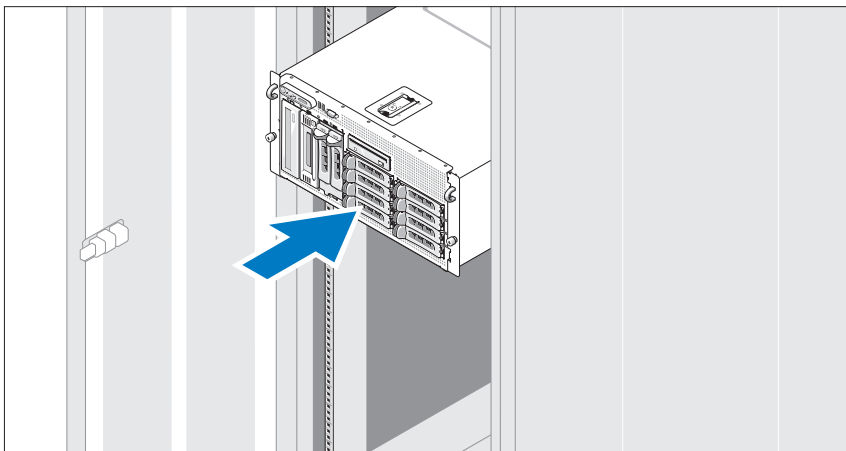
### 打开系统包装



**1** 打开系统包装并识别每项物品。

妥善保管好所有运输包装材料，以备将来使用。

## 在机架中安装滑轨和系统

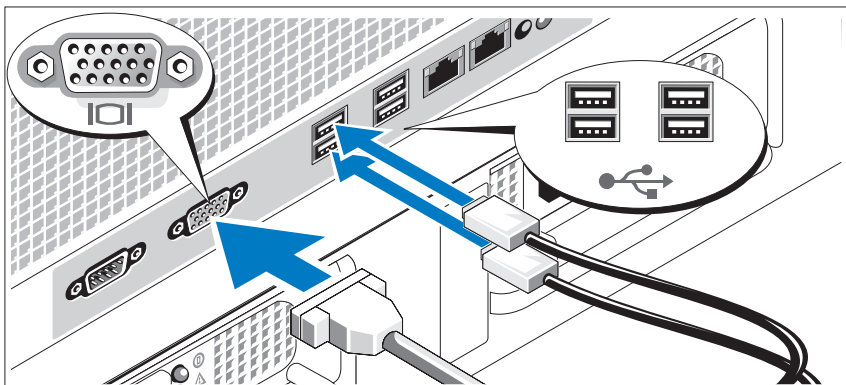


- 2 在仔细阅读了系统的机架安装说明文件中的“安全说明”之后，在机架中安装滑轨和系统。

有关在机架中安装系统的说明，请参阅机架安装说明文件。

对于塔式系统，请参阅随系统附带的说明文件安装系统稳定支脚。

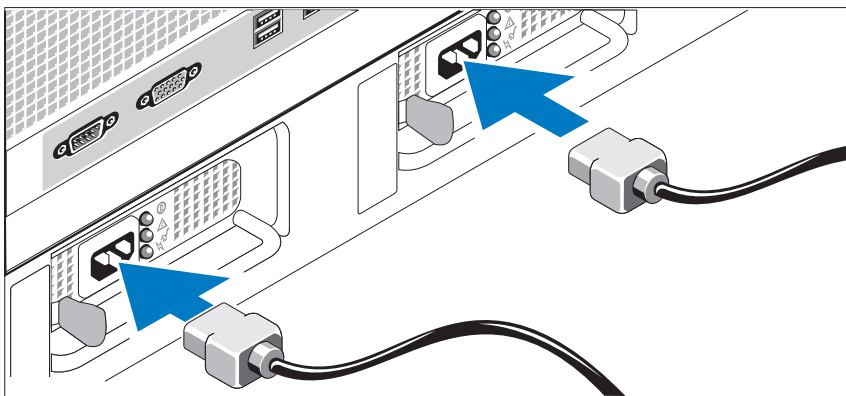
## 连接键盘、鼠标和显示器



- 3 连接键盘、鼠标和显示器（可选）。

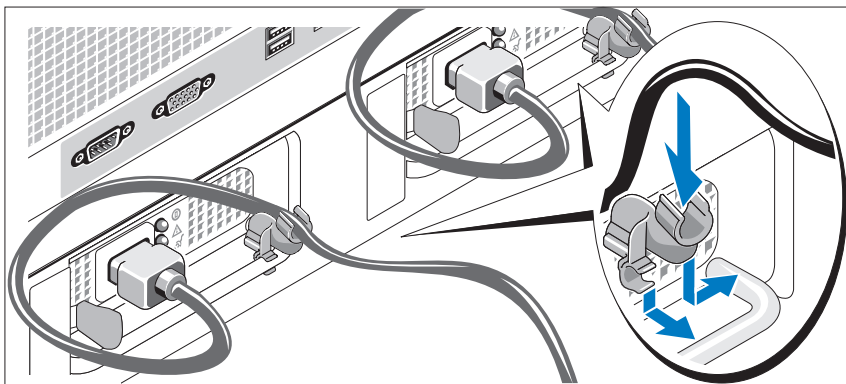
系统背面的连接器附有图标，这些图标指示了要插入每个连接器的电缆。确保拧紧显示器的电缆连接器上的螺钉（如果有）。

## 连接电源



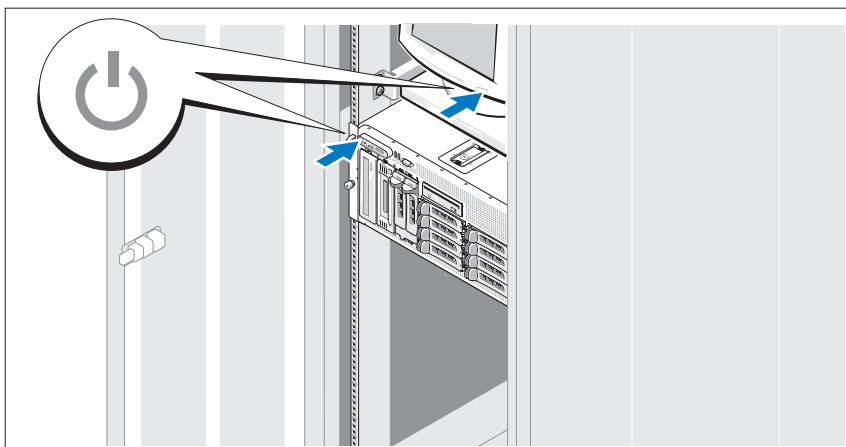
- 4 将系统的电源电缆连接至系统。
- 5 将电缆的另一端插入接地的电源插座或单独的电源，如不间断电源设备 (UPS) 或配电装置 (PDU)。

## 安装电源线固定支架



- 6 在电源设备手柄的右侧拐弯处上方连接电源线固定支架。如图例所示，将系统电源电缆弯曲成环状，并连接至支架的电缆挂钩。对第二个电源设备重复此过程。

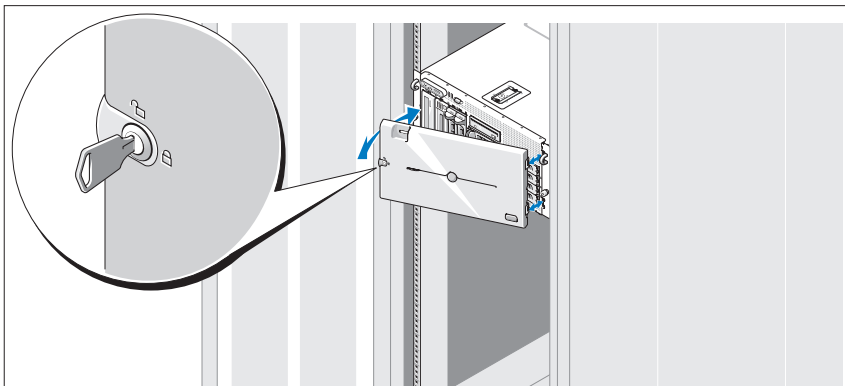
## 开启系统



- 7 打开系统和显示器（可选）。

按下系统和显示器的电源按钮。电源指示灯将会亮起。调节显示器的控制按钮直至获得满意的显示图像。

## 安装挡板



**8** 安装挡板（可选）。

## 完成操作系统安装

如果购买了预安装的操作系統，請參閱隨系統附帶的操作系統說明文件。如果是初次安裝操作系統，請參閱《快速安裝指南》。在安裝非隨系統購買的硬件或軟件之前，請確保已安裝操作系統。

## 技术规格

---

### 处理器

处理器类型 一个或两个双核 Intel Xeon 处理器 5000 序列

---

### 扩充总线

总线类型 PCI、PCI-X、PCIe

#### 扩充槽

PCI-X 两个全高、全长、3.3 V、64 位、133 MHz  
(插槽 1 和 2)

PCIe 一个 x8 信道、3.3 V (插槽 3)  
三个 x4 信道、3.3 V (插槽 4 至 6)



---

## 内存

---

体系结构	533 或 667 MHz（可用时）全缓冲 DIMM (FBD)
内存模块插槽	十二个 240 针
内存模块容量	256 MB、512 MB、1 GB、2 GB 或 4 GB
最小 RAM	512 MB（两个 256 MB 模块）
最大 RAM	48 GB

---

## 驱动器

---

硬盘驱动器	最多十个 3.5 英寸内部热插拔 SAS 或 SATA <ul style="list-style-type: none"><li>• 八个驱动器位于内部驱动器托架中</li><li>• 两个驱动器位于可选的 1x2 灵活托架背板扩充板中</li></ul>
软盘驱动器	一个可选的 3.5 英寸 1.44 MB 软盘驱动器 外部可选的 USB 3.5 英寸 1.44 MB 软盘驱动器
光盘驱动器	一个可选的 CD、DVD 或组合 CD-RW/DVD <b>注：</b> DVD 设备仅用于数据。 外部可选的 USB CD-ROM 外部可选的 USB DVD-ROM
快擦写驱动器	外部可选的 USB

---

## 连接器

---

背面	
NIC	两个支持 TOE 的 RJ-45（用于集成的 1 GB NIC）
串行	9 针、DTE、16550 兼容连接器
USB	四个 4 针、USB 2.0 兼容连接器
视频	15 针 VGA 连接器

---

## 连接器 (续)

---

### 正面

视频	15 针 VGA 连接器
USB	两个 4 针、USB 2.0 兼容连接器

---

## 视频

---

视频类型	ATI ES1000 视频控制器；VGA 连接器
视频内存	16 MB DDR SDRAM

---

## 电源

---

### 交流电源设备 (每个电源设备)

功率	930 W
电压	90 - 264 VAC、范围自动调节、47 - 63 Hz
散热	最大 2697 BTU/小时
最大涌入电流	在典型的线路条件下和整个系统运行范围内，每个电源设备在 10 毫秒或更短时间内的涌入电流可达 55 A

### 电池

系统电池	CR 2032 3.0 V 锂离子币形电池
RAID 电池 (可选)	4.1 V 锂离子电池

---

## 物理规格

---

### 机架

高度	21.77 厘米 (8.57 英寸)
宽度	44.27 厘米 (17.43 英寸) (仅机箱) 48.27 厘米 (19 英寸) (包括机架凸缘)
厚度	66.13 厘米 (26.04 英寸)，不包括控制面板或挡板； 如果包括控制面板，则另外增加 1.3 厘米 (0.51 英寸)
重量 (最大配置)	45.36 千克 (100 磅)

---

## 物理规格（续）

---

### 塔式（不包括挡板）

高度	47.89 厘米（18.85 英寸）（包括支脚，不包括脚轮）
宽度	22.66 厘米（8.92 英寸）
厚度	66.13 厘米（26.04 英寸），不包括控制面板或挡板； 如果包括控制面板，则另外增加 1.3 厘米（0.51 英寸）
重量（最大配置）	49.9 千克（110 磅）

---

## 环境参数

---

**注：**有关特定系统配置的环境参数规格的有关信息，请与您的技术支持供应商联系。

### 温度

运行时	10° 至 35°C（50° 至 95°F）
存储	-40° 至 65°C（-40° 至 149°F）

### 相对湿度

运行时	20% 至 80%（非冷凝），最大湿度变化梯度为 每小时 10%
存储	5% 至 95%（非冷凝）

### 最大振动

运行时	Z 轴上可承受 0.26 G、5 - 350 Hz 的振动，可持 续 2 分钟
存储	在所有方向上，可承受 1.54 G、10 - 250 Hz 的 振动，可持续 15 分钟

### 最大撞击

运行时	z 轴正方向上可承受一个 41 G 的冲击脉冲（系 统每一面承受一个脉冲），最多可持续 2 毫秒
存储	x、y 和 z 轴正负方向上可承受连续六个 71 G 的 冲击脉冲（系统每一面承受一个脉冲），最多 可持续 2 毫秒

### 海拔高度

运行时	-16 至 3048 米（-50 至 10,000 英尺）
存储	-16 至 10,600 米（-50 至 35,000 英尺）

---



# 索引

## A

安装和配置, 26

## C

处理器, 23

## D

对称多处理 (SMP), 23

## J

集成 RAID 控制器卡, 24

技术帮助, 25

技术规格, 30

## K

扩充卡固定框架, 24

## N

NIC, 24

内存, 23

交叉存取, 23

## S

视频控制器, 24

## X

系统配置, 23

CD 驱动器, 23

处理器, 23

DVD 驱动器, 23

电源设备, 23

对称多处理 (SMP), 23

NIC, 24

内存, 23

软盘驱动器, 23

视频控制器, 24

USB, 24

远程访问控制器卡, 24

## Y

远程访问控制器

远程系统管理, 24

远程访问控制器卡, 24

远程系统管理

远程访问控制器卡, 24

## Z

支持的操作系统, 25

组合 CD-RW/DVD, 23



Dell™ PowerVault™

600 システム

はじめに

モデル MVT01



## メモ、注意、警告



**メモ**：コンピュータを使いやすくするための重要な情報を説明しています。



**注意**：ハードウェアの損傷やデータの損失の可能性を示し、その危険を回避するための方法を説明しています。



**警告**：物的損害、けが、または死亡の原因となる可能性があることを示しています。

---

**本書の内容は予告なく変更されることがあります。**

**© 2007 すべての著作権は Dell Inc. にあります。**

Dell Inc. の書面による許可のない複製は、いかなる形態においても厳重に禁じられています。

本書に使用されている商標：Dell、DELL ロゴ、および PowerVault は Dell Inc. の商標です。Intel Core および Core 2 Duo は米国その他の国における Intel Corporation の商標です。Intel、Pentium、および Xeon は米国その他の国における Intel Corporation の登録商標です。Microsoft、Windows、および Windows Storage Server は米国その他の国における Microsoft Corporation の商標または登録商標です。

本書では、必要に応じて上記以外の商標や会社名が使用されている場合がありますが、それらの商標や会社名は、一切 Dell Inc. に帰属するものではありません。

モデル MVT01

2007 年 9 月

P/N JU364

Rev. A00



# 目次

システムの機能 .....	41
サポートされている OS .....	43
その他の情報 .....	43
テクニカルサポートの利用法 .....	44
<b>取り付けと設定 .....</b>	<b>44</b>
システムの開梱 .....	45
ラックへのレールとシステムの取り付け .....	46
キーボード、マウス、モニターの接続 .....	47
電源の接続 .....	47
電源コード固定ブラケットの取り付け .....	48
システムの電源投入 .....	48
ベゼルの取り付け .....	49
<b>OS のセットアップの完了 .....</b>	<b>49</b>
<b>仕様 .....</b>	<b>50</b>
索引 .....	55



# システムの機能

お使いのシステムの主要なハードウェアとソフトウェアの機能は、次のとおりです。

- デュアルコア Intel® Xeon® Processors 5000 Sequence が 1 個または 2 個。
- 2 個の Intel Xeon プロセッサが搭載されているシステムの場合、SMP (対称型マルチプロセッシング) をサポート。SMP は、独立した複数のプロセッサに処理を分散することにより、システム全体の性能を飛躍的に高めます。この機能を活用するには、マルチプロセッシング対応の OS を使用する必要があります。



**メモ：**2 個目のプロセッサを取り付けてシステムをアップグレードする場合は、販売店からプロセッサアップグレードキットを購入する必要があります。Intel Xeon プロセッサには、増設用には使用できないバージョンもあります。アップグレードキットには、正しいバージョンのプロセッサと、アップグレードを実行するための手順書が入っています。

- 最小メモリ容量は 512 MB。533 または 667 MHz (利用可能な場合) の完全バッファ型 DIMM (FBD) を使用します。システム基板の 12 個のメモリモジュールソケットに 256 MB、512 MB、1 GB、2 GB、または 4 GB のメモリモジュールを組み合わせて取り付けることで最大 48 GB にまで増設可能です。

このシステムは、メモリスペアリング機能やメモリミラーリングを可能にする冗長メモリ機能にも対応しています。同一仕様のメモリモジュールを 8 または 12 個取り付けている場合は、どちらの機能も利用できます。

- ホットプラグ対応の 3.5 インチ内蔵シリアル接続 SCSI (SAS) または SATA ハードドライブを 10 台までサポート (ホットプラグ対応バックプレーンボードを使用して 3.5 インチ内蔵ハードドライブを 8 台、および、オプションの 1x2 フレックスベイバックプレーンボードを使用して周辺機器ベイにホットプラグ対応 3.5 インチドライブ 2 台を増設可能)。
- 周辺機器ベイには、オプションのオプティカルドライブとオプションのハーフハイトテープバックアップユニット (TBU) を各 1 台取り付けることができます。1x2 フレックスベイブラケットを取り外せば、フルハイト TBU を取り付けることができます。
- 1.44 MB、3.5 インチのディスケットドライブ 1 台 (オプション)。
- オプションの CD、DVD、または CD-RW/DVD コンボドライブが取り付け可能。



**メモ：**DVD デバイスはデータ専用。

- トップカバーが開けられた場合に、適切なシステム管理ソフトウェアに信号を送るイントルージョンスイッチ。
- ホットプラグ対応の 930 W 電源ユニットを 1 + 1 冗長構成で 2 台まで。
- ホットプラグ対応システム冷却ファンが 6 台。

システム基板には、次の機能が搭載されています。

- 6 個の PCI スロットを持つ拡張カードケージ。スロット 1 と 2 は 3.3 V、64 ビット、133 MHz PCI-X スロット。スロット 3 は 3.3 V、PCIe x8 レーン。スロット 4 ~ 6 は 3.3 V、PCIe x4 レーン。拡張カードスロットには、フルハイト、フルレングスの拡張カードを取り付け可能。PCIe スロットには x8 までの拡張カードを装着できます。
- 内蔵 SAS ホストバスアダプタ用、または 256 MB のキャッシュメモリと RAID バッテリーを備えたオプションの内蔵 RAID コントローラカード用の専用 PCI スロット。



**メモ**：SAS 5/E、PERC 5/E、または PERC 4e/DC を含め、SAS または SCSI アダプタに接続された外付けデバイスからのシステム起動はサポートされていません。外付けデバイスからの起動に関する最新のサポート情報については、テクニカルサポートにお問い合わせください。

- 10 Mbps、100 Mbps、および 1000 Mbps のデータ転送速度をサポートする内蔵ギガビットイーサネット NIC が 2 枚。
- ディスケットドライブ、CD-ROM もしくは DVD-ROM ドライブ、キーボード、マウス、または USB フラッシュドライブをサポートする USB 2.0 対応のコネクタ 6 個（前面に 2 個と背面に 4 個）。
- リモートシステム管理用のオプションのリモートアクセスコントローラ (RAC)。
- ATI ES1000、33 MHz PCI ビデオコントローラ搭載の VGA 互換内蔵ビデオサブシステム。このビデオサブシステムには、16 MB の DDR SDRAM ビデオメモリが組み込まれています（アップグレード不可）。最大解像度 1600 x 1200（64,000 色）。True Color グラフィックを次の各解像度でサポートします。640 x 480、800 x 600、1024 x 768、1152 x 864、および 1280 x 1024。オプションの RAC 取り付けの場合のビデオ解像度は 1024 x 768 になります。
- システムの重大な電圧と温度の変化に加え、システムファンの動作も監視するシステム管理回路。システム管理回路は、システム管理ソフトウェアと連動して機能します。

- シリアルアクセスを持つ標準ベースボード管理コントローラ。
- 背面パネルには、シリアル、ビデオ（各 1 個）、USB（4 個）、および NIC（2 個）の各コネクタを装備。
- 前面パネルには、ビデオコネクタ（1 個）と USB コネクタ（2 個）を装備。
- システム ID およびエラーメッセージを表示する前面パネル 1x5 LCD。
- 前面パネルおよび背面パネルにはシステム ID ボタンがあります。

それぞれの機能の詳細については、50 ページの「仕様」を参照してください。

## サポートされている OS

- Microsoft® Windows Storage Server™ 2003 R2 Express Edition (x64)
- Microsoft Windows Storage Server 2003 R2 Workgroup Edition (x64)

## その他の情報




**警告：**『製品情報ガイド』には、安全および認可機関に関する情報が記載されています。保証情報に関しては、『サービス & サポートのご案内』を参照してください。

- システムをラックに取り付ける方法については、ラックに付属の『ラック取り付けガイド』に説明があります。
- 『ハードウェアオーナーズマニュアル』では、システムの機能、トラブルシューティング方法、およびコンポーネントの取り付けや交換の方法について説明しています。『ハードウェアオーナーズマニュアル』はシステムに付属の CD に収録されています。または、テクニカルプロバイダからも入手できます。
- システムに付属の CD には、システムの設定と管理に使用するマニュアルやツールが収録されています。
- リリースノートまたは readme ファイルには、システムまたはマニュアルの最新のアップデート情報や、専門知識をお持ちのユーザーや技術者のための高度な技術情報が記載されています。


## テクニカルサポートの利用法


このガイドの手順が理解できない場合やシステムが思ったとおりに動作しない場合は、『ハードウェアオーナーズマニュアル』を参照してください。

## 取り付けと設定

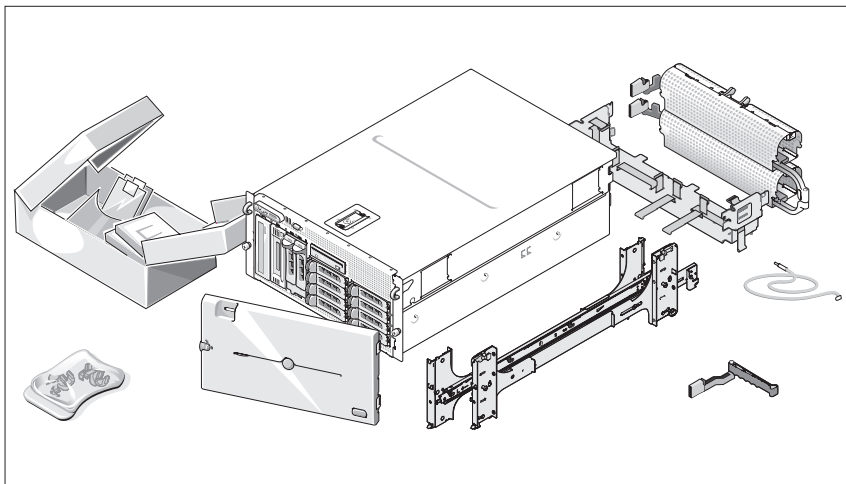
 **警告：**次の手順を実行する前に、『製品情報ガイド』の安全にお使いいただくための注意と認可機関に関する情報をよく読み、指示に従ってください。

本項では、システムを初めてセットアップする際の手順について説明します。以下の図はラック取り付け型のシステムを示したものですが、取り付けの手順は大部分がスタンドアロンタワーシステムにも当てはまります。手順 2 でラックを取り付ける代わりに、システムに付属のマニュアルを参照してスタビライザをシステムに取り付けてください。

 **警告：**スタンドアロンタワーシステムを安定させるには、スタビライザを取り付ける必要があります。スタビライザを取り付けないと、システムが転倒して、場合によってはけがやシステムの損傷を招くおそれがあります。

 **警告：**システムを持ち上げる必要がある場合は、必ずだれかの手を借りてください。けがを防ぐために、決してシステムを一人で持ち上げようとしないでください。

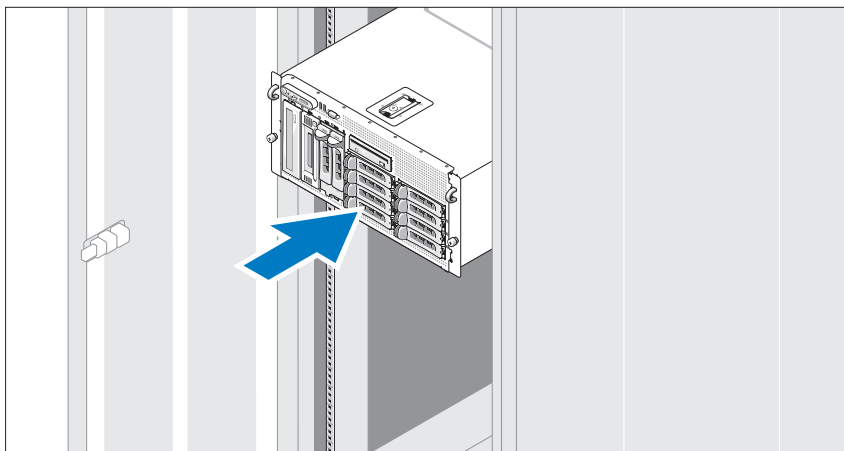
## システムの開梱



- 1 システムを箱から取り出し、同梱品がすべて揃っていることを確認します。

後で必要になる場合があるので、梱包材と箱は保管しておいてください。

## ラックへのレールとシステムを取り付け



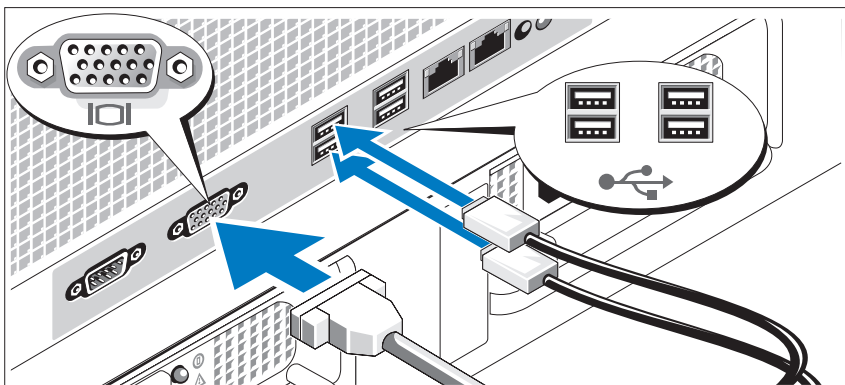
- 2 お使いのシステムのラック取り付けガイドに記載されている「安全にお使いいただくための注意」を読まれたら、ラックにレールとシステムを取り付けます。

システムをラックに取り付ける手順については、ラック取り付けガイドを参照してください。

タワーシステムの場合は、システムに付属のマニュアルを参照してシステムスタビライザを取り付けてください。



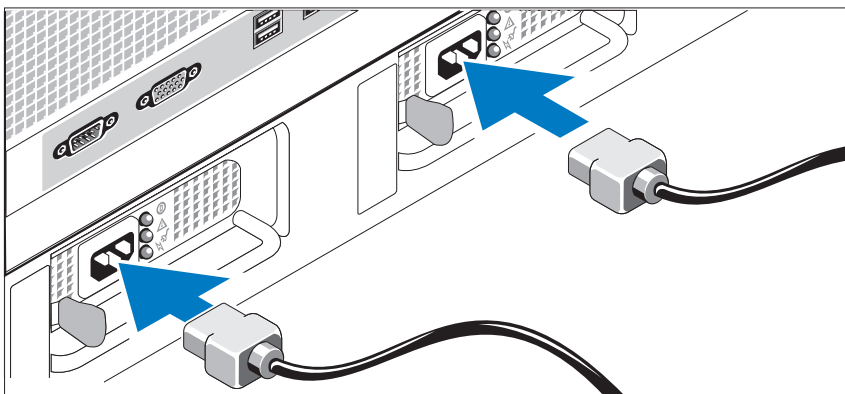
## キーボード、マウス、モニターの接続



- 3** キーボード、マウス、モニター（オプション）を接続します。

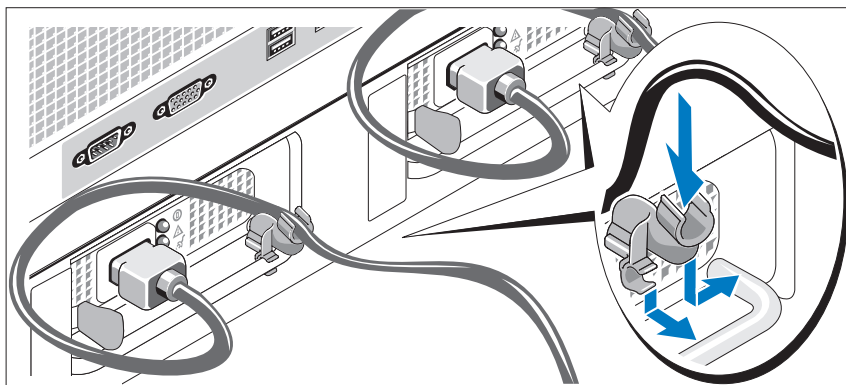
システム背面のコネクタには、どのケーブルを各コネクタに接続するかを示すアイコンがあります。モニターのケーブルコネクタにネジがある場合は、必ず締めてください。

## 電源の接続



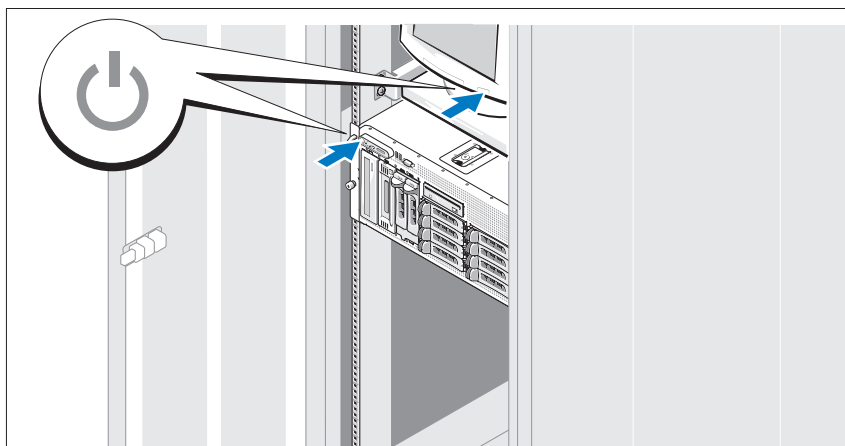
- 4** システムの電源ケーブルをシステムに接続します。
- 5** 電源コードのもう一方の端をアースされた電源コンセントまたは UPS（無停電電源装置）や配電装置（PDU）などの電源に接続します。

## 電源コード固定ブラケットの取り付け



- 6** 電源コード固定ブラケットを電源ユニットハンドルの右ベンドに取り付けます。システムの電源ケーブルをループ状に曲げ（図を参照）、ブラケットのケーブル留め金に取り付けます。2 台目の電源ユニットについても同じ手順を繰り返します。

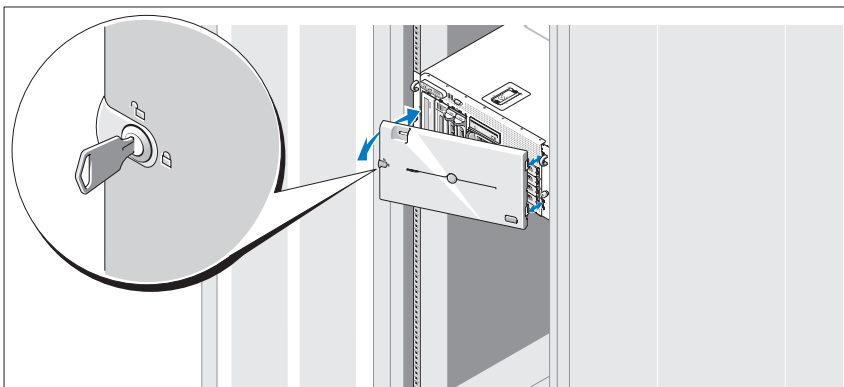
## システムの電源投入



- 7** システムとモニター（オプション）の電源を入れます。

システムとモニターの電源ボタンを押します。電源インジケータが点灯します。表示されたイメージが最適の状態になるまで、モニターのコントロールを調節します。

## ベゼルの取り付け



### 8 ベゼルの取り付け（オプション）

## OS のセットアップの完了

システムに OS がプリインストールされている場合は、システムに同梱の OS のマニュアルを参照してください。OS を初めてインストールする場合は、『クイックインストールガイド』を参照してください。システムとは別途に購入したハードウェアやソフトウェアのインストールは、OS がインストール済みであることを確認してから行ってください。

# 仕様

---

## プロセッサ

プロセッサのタイプ デュアルコア Intel Xeon Processors  
5000 Sequence が 1 個または 2 個

---

## 拡張バス

バスのタイプ PCI、PCI-X、PCIe

## 拡張スロット

PCI-X フルハイト、フルレングスの 3.3 V、64 ビット、  
133 MHz × 2 (スロット 1 および 2)

PCIe x8 レーン、3.3 V × 1 (スロット 3)  
x4 レーン、3.3 V × 3 (スロット 4 ~ 6)

---

## メモリ

アーキテクチャ 533 または 667 MHz (利用可能な場合) の完全  
バッファ型 DIMM (FBD)

メモリモジュールソケット 240 ピン × 12

メモリモジュールの容量 256 MB、512 MB、1 GB、2 GB、または 4 GB

最小 RAM 512 MB (256 MB モジュール × 2)

最大 RAM 48 GB

---

## ドライブ

ハードドライブ ホットプラグ対応の 3.5 インチ内蔵 SAS または  
SATA × 10 台まで

- 内蔵ドライブベイに 8 台
- オプションの 1x2 フレックスベイ拡張バックブ  
レーンに 2 台

ディスクドライブ オプションの 3.5 インチ、1.44 MB ドライブ 1 台  
オプションの 3.5 インチ、1.44 MB USB 外付けド  
ライブ

---

## ドライブ (続き)

---

オプティカルドライブ	オプションの CD、DVD、または CD-RW/DVD コンボドライブ <b>メモ:</b> DVD デバイスはデータ専用。 オプションの USB 外付け CD-ROM オプションの USB 外付け DVD-ROM
フラッシュドライブ	オプションの USB 外付け

---

## コネクタ

---

### 背面

NIC	TOE 対応 RJ-45 (内蔵 1 GB NIC 用) × 2
シリアル	16550 互換 9 ピン DTE
USB	4 ピン USB 2.0 対応コネクタ 4 個
ビデオ	15 ピン VGA

### 前面

ビデオ	15 ピン VGA
USB	4 ピン USB 2.0 対応コネクタ 2 個

---

## ビデオ

---

ビデオタイプ	ATI ES1000 ビデオコントローラ、 VGA コネクタ
ビデオメモリ	16 MB の DDR SDRAM

---

## 電源

---

### AC 電源ユニット (各電源ユニットにつき)

ワット数	930 W
電圧	AC 90 ~ 264 V、自動選択、47 ~ 63 Hz
熱消費	最大 2697 BTU/時
最大流入電流	通常のラインコンディションのもと、システムの 動作環境全範囲で、電源ユニット 1 台につき 10 ms 以下で 55 A の入電量を許容できます

---

## 電源 (続き)

---

### バッテリー

システムバッテリー	3.0 V コイン型リチウムイオン電池 CR 2032
RAID バッテリー (オプション)	4.1 V リチウムイオン

---

## サイズと重量

---

### ラック

縦幅	21.77 cm
横幅	44.27 cm (シャーシのみ) 48.27 cm (ラックのフランジを含む)
奥行	66.13 cm (コントロールパネルとベゼルは含 まず。コントロールパネルを含めると +1.3 cm)
重量 (最大構成)	45.36 kg

### タワー (ベゼルなし)

縦幅	47.89 cm (スタビライザを含む。キャスターは含 まず)
横幅	22.66 cm
奥行	66.13 cm (コントロールパネルとベゼルは 含まず。コントロールパネルを含めると +1.3 cm)
重量 (最大構成)	49.9 kg

---

## 環境

---

**メモ**：特定のシステム構成でのその他の環境条件の詳細については、テクニカルサポートにお問い合わせください。

### 温度

動作時	10 ~ 35 °C
保管時	-40 ~ 65 °C

---

## 環境（続き）

---

### 相対湿度

動作時 1 時間当たり最大 10 パーセントの湿度変化で  
20 ～ 80 パーセント（結露しないこと）

保管時 5 ～ 95 パーセント（結露しないこと）

### 最大耐久震度

動作時 z 軸の方向に 2 分間に 5 ～ 350 Hz で 0.26 G

保管時 すべての方向に 15 分間に 10 ～ 250 Hz で 1.54 G

### 最大耐久衝撃

動作時 z 軸の正方向に 2 ミリ秒以下で 41 G の 1 衝撃パルス（システムの各面に対して 1 パルス）

保管時 x、y、z 軸の正および負方向に 6 連続衝撃パルス（システムの各面に対して 1 パルス）、2 ミリ秒以下で 71 G

### 高度

動作時 -16 ～ 3,048 m

保管時 -16 ～ 10,600 m

---





# 索引

## N

NIC, 42

## S

SMP (対称型マルチプロセッシング), 41

## か

拡張カードケース, 42

## こ

コンボ CD-RW/DVD, 41

## さ

サポートされている OS, 43

## し

システムの機能, 41

CD ドライブ, 41

DVD ドライブ, 41

NIC, 42

SMP (対称型マルチプロセッシング), 41

USB, 42

ディスクドライブ, 41

電源ユニット, 42

ビデオコントローラ, 42

プロセッサ, 41

メモリ, 41

リモートアクセスコントローラ  
カード, 42

仕様, 50

## て

テクニカルサポート, 44

## と

取り付けと設定, 44

## な

内蔵 RAID コントローラ, 42

## ひ

ビデオコントローラ, 42

## ふ

プロセッサ, 41

## め

メモリ, 41  
    インタリービング, 41

## り

リモートアクセスコントローラ  
    リモートシステム管理, 42  
リモートアクセスコントローラ  
    カード, 42  
リモートシステム管理  
    リモートアクセスコントローラ  
        カード, 42

Dell™ PowerVault™ 600

시스템

시스템 시작하기

모델 MVT01



## 주, 주의사항 및 주의



**주:** "주"는 컴퓨터를 보다 효율적으로 사용하는데 도움이 되는 중요 정보를 제공합니다.



**주의사항:** "주의사항"은 하드웨어의 손상 또는 데이터 유실 위험을 설명하며, 이러한 문제를 방지할 수 있는 방법을 알려줍니다.



**주의:** "주의"는 재산상의 피해나 심각한 부상 또는 사망을 유발할 수 있는 위험이 있음을 나타냅니다.

---

**본 설명서에 수록된 정보는 사전 통보 없이 변경될 수 있습니다.**

© 2007 Dell Inc. 저작권 본사 소유.

Dell Inc. 의 사전 승인 없이 어떠한 경우에도 무단 복제하는 것을 엄격히 금합니다.

본 설명서에 사용된 상표인 *Dell*, *DELL* 로고 및 *PowerVault*는 Dell Inc. 의 상표입니다. *Intel Core* 및 *Core 2 Duo*는 상표이며, *Intel*, *Pentium* 및 *Xeon* 은 미국 및 기타 국가에서 Intel Corporation 의 등록 상표입니다. *Microsoft*, *Windows* 및 *Windows Storage Server*는 미국 및 기타 국가에서 Microsoft Corporation의 상표 또는 등록 상표입니다.

본 설명서에서 특정 회사의 표시나 제품 이름을 지칭하기 위해 기타 상표나 상호를 사용할 수도 있습니다. Dell Inc. 는 자사가 소유하고 있는 것 이외에 기타 모든 등록 상표 및 상표 이름에 대한 어떠한 소유권도 보유하지 않습니다.

모델 MVT01

2007년 9월

P/N JU364

Rev. A00

# 차례

시스템 특징 . . . . .	61
지원되는 운영 체제 . . . . .	63
기타 필요한 정보 . . . . .	63
기술 지원 얻기 . . . . .	63
<b>설치 및 구성 . . . . .</b>	<b>64</b>
시스템 포장 풀기 . . . . .	64
랙에 레일과 시스템 설치 . . . . .	65
키보드, 마우스 및 모니터 연결 . . . . .	66
전원 연결 . . . . .	66
전원 코드 고정 브래킷 연결 . . . . .	67
시스템 켜기 . . . . .	67
베젤 설치 . . . . .	68
<b>운영 체제 설치 완료 . . . . .</b>	<b>68</b>
<b>기술 사양 . . . . .</b>	<b>68</b>
색인 . . . . .	73



# 시스템 특징

본 시스템의 주요 하드웨어 및 소프트웨어 특징

- 하나 또는 두 개의 듀얼 코어 Intel® Xeon® 프로세서 5000 Sequence.
- 2개의 Intel Xeon 프로세서를 장착한 시스템에 사용 가능한 SMP(Symmetric MultiProcessing) 지원. SMP는 독립된 프로세서 사이에 작업을 분배함으로써 전체 시스템 성능을 크게 향상시킵니다. 이 기능을 사용하려면 멀티프로세싱 방식을 지원하는 운영 체제를 사용해야 합니다.



**주:** 보조 프로세서를 설치하여 시스템을 업그레이드하려면 공급업체에서 프로세서 업그레이드 키트를 구입해야 합니다. Intel Xeon 프로세서의 일부 버전만 추가 프로세서로 사용할 수 있습니다. 업그레이드 키트에는 올바른 버전의 프로세서, 방열판 및 팬과 업그레이드 지침이 들어 있습니다.

- 시스템 보드의 12개의 메모리 모듈 소켓에 256MB, 512MB, 1GB, 2GB 또는 4GB 메모리 모듈 조합을 설치하여 최대 48GB로 업그레이드할 수 있는 최소 512MB의 533MHz 또는 667-MHz(이용 가능한 경우) 풀리 버퍼드 DIMM(FBD).

또한 시스템은 메모리 배분(sparing) 또는 메모리 미러링(mirroring)을 제공하는 중복 메모리를 사용합니다. 각 기능은 8개 또는 12개의 동일한 메모리 모듈이 설치된 경우에 이용할 수 있습니다.

- 최대 10개의 3.5인치 내장 핫플러그형 SAS(Serial-Attached SCSI) 또는 SATA 하드 드라이브(3.5인치 내장 하드 드라이브(핫플러그형 후면판 보드 포함) 8개와 선택 사양인 1x2 플렉스베이 후면판 보드를 사용하는 주변장치 베이에 장착된 추가 핫플러그형 3.5인치 드라이브 2개 지원).
- 선택 사양인 광학 드라이브를 지원하는 주변장치 베이와 선택 사양인 1/2 높이 테이프 백업 장치(TBU). 전체 높이 TBU는 1x2 플렉스베이 브래킷이 제거된 경우에 지원됩니다.
- 1.44MB 3.5인치 디스켓 드라이브(선택 사양) 1개.
- 선택 사양인 CD, DVD 또는 CD-RW/DVD 콤보 드라이브 1개.



**주:** DVD 장치는 데이터 전용입니다.

- 컴퓨터 덮개가 열리면 시스템 관리 소프트웨어에 신호를 보내는 새시침입 스위치.
- 1 + 1 중복 구성으로 최대 2개의 핫플러그형 930W 전원 공급 장치.
- 핫플러그형 시스템 냉각팬 6개.

다음은 시스템 보드의 특징입니다.

- 확장 카드 케이지에 설치된 6개의 PCI 슬롯. 슬롯 1 및 2 - 3.3V 64-비트 133MHz PCI-X 슬롯, 슬롯 3 - 3.3V PCIe 8배폭 레인; 슬롯 4 ~ 6 - 3.3V PCIe 4배폭 레인. 확장 카드 슬롯에는 전체 높이, 전체길이의 확장 카드를 장착할 수 있습니다. PCIe 슬롯에는 최대 8배폭의 확장 카드가 장착이 가능합니다.
- 내장형 SAS 호스트 버스 어댑터 또는 선택 사양인 내장형 RAID 컨트롤러 카드(256MB 캐쉬 메모리와 RAID 전지 포함)용 전용 PCI 슬롯.



**주:** 시스템 부팅은 SAS 5/E, PERC 5/E, PERC 4e/DC를 포함하여 SAS 또는 SCSI 어댑터에 연결된 외부 장치에서는 지원되지 않습니다. 외부 장치로 부팅하는 방법에 대한 최신 지원 정보는 기술 지원 공급업체에 문의하십시오.

- 10Mbps, 100Mbps, 1000-Mbps 데이터 전송률을 지원하는 내장형 Gigabit Ethernet NIC 2개.
- 디스켓 드라이브, CD-ROM 또는 DVD-ROM 드라이브, 키보드, 마우스 또는 USB 플래쉬 드라이브를 지원하는 USB 2.0 호환 커넥터 6개 (전면에 2개, 후면에 4개).
- 원격 시스템 관리용 RAC(Remote Access Controller) 옵션.
- ATI ES1000, 33-MHz PCI 비디오 컨트롤러가 장착된 내장형 VGA 호환 비디오 서브시스템. 이 비디오 서브시스템에는 16MB의 DDR SDRAM 비디오 메모리가 포함되어 있습니다(업그레이드 불가능). 최대 해상도는 1600 x 1200(64,000색)이며 다음 해상도에서 트루 컬러 그래픽이 지원됩니다. 640 x 480, 800 x 600, 1024 x 768, 1152 x 864 및 1280 x 1024. 추가 RAC를 설치한 경우 비디오 해상도는 1024 x 768입니다.
- 시스템 팬, 임계 시스템 전압 및 온도 등의 작동을 모니터링하는 시스템 관리 회로. 시스템 관리 회로는 시스템 관리 소프트웨어와 연계하여 작동합니다.
- 직렬 액세스를 사용하는 표준 베이스보드 관리 컨트롤러.
- 후면 패널 커넥터에는 직렬 커넥터 1개, 비디오 커넥터 1개, USB 커넥터 4개 및 NIC 커넥터 2개 가 포함됩니다.



- 전면 패널 커넥터에는 비디오 커넥터 1개 및 USB 커넥터 2개가 포함됩니다.
- 시스템 ID 및 오류 메시지가 표시되는 전면 패널 1x5 LCD.
- 전면 및 후면 패널의 시스템 ID 단추.

특정 기능에 관한 자세한 내용은 "68페이지의 기술 사양"을 참조하십시오.

## 지원되는 운영 체제

- Microsoft® Windows Storage Server™ 2003 R2 Express Edition (x64)
- Microsoft Windows Storage Server 2003 R2 Workgroup Edition (x64)

## 기타 필요한 정보

**⚠ 주의:** 제품 정보 안내는 중요한 안전 지침 및 규제 관련 정보를 제공합니다. 보증 정보는 본 설명서에 포함되어 있거나 별도의 문서로 제공됩니다.

- 랙 솔루션과 함께 제공되는 *랙 설치 안내 지침* 또는 *랙 설치 설명서*에는 시스템을 랙에 설치하는 방법이 기술되어 있습니다.
- *하드웨어 소유자 설명서*에서는 시스템 기능에 대한 정보를 제공하고 시스템 문제 해결 방법 및 시스템 구성부품 설치 또는 교체 방법을 설명합니다. *하드웨어 소유자 설명서*는 시스템과 함께 제공되는 CD에 수록되어 있으며 기술 제공업체를 통해 얻을 수도 있습니다.
- 시스템과 함께 제공되는 CD에는 시스템 구성과 관리를 위한 문서와 도구가 포함되어 있습니다.
- 발행 정보나 readme 파일에는 시스템에 대한 최신 업데이트 사항이나 전문가 또는 기술자를 위한 고급 기술 참조 자료가 포함되어 있을 수 있습니다.

## 기술 지원 얻기

본 설명서의 절차가 이해되지 않거나 시스템이 제대로 작동하지 않을 경우에는 *하드웨어 소유자 설명서*를 참조하십시오.

## 설치 및 구성

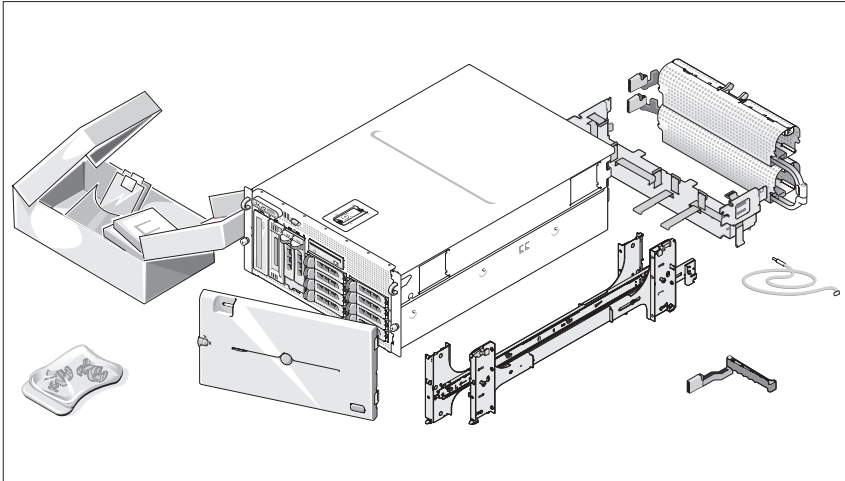
**!** 주의: 아래에 설명된 절차를 수행 하기 전에 제품 정보 안내의 안전 지침 및 중요한 규제 관련 정보를 읽고 준수하십시오.

이 절에서는 처음 시스템을 설정하는 절차를 설명합니다. 다음 페이지 이하에 나오는 그림에는 랙 장착 시스템이 표시되어 있으나 본 설치 절차는 독립형 타워 시스템의 많은 부분에도 그대로 적용됩니다. 2단계의 랙 설치 대신에 시스템에 포함된 설명서에서 시스템에 고정 다리 설치 방법을 참조하십시오.

**!** 주의: 시스템에 안정된 기초를 제공하기 위해 독립형 타워 시스템에 고정 다리를 설치해야 합니다. 고정 다리를 설치하지 않으면 시스템이 넘어질 위험이 있으며 이로 인해 부상을 입거나 시스템이 손상될 수 있습니다.

**!** 주의: 시스템을 옮겨야 하는 경우에는 반드시 다른 사람들의 도움을 받으십시오. 부상 방지를 위해 혼자 시스템을 들지 마십시오.

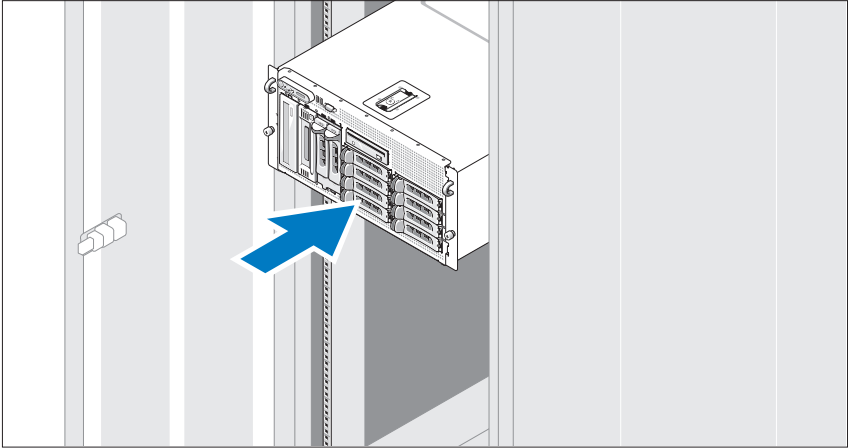
### 시스템 포장 풀기



**1** 시스템 포장을 제거하고 각 항목을 확인합니다.

모든 운송 포장재는 나중에 필요할 수 있으므로 보관하십시오.

## 랙에 레일과 시스템 설치

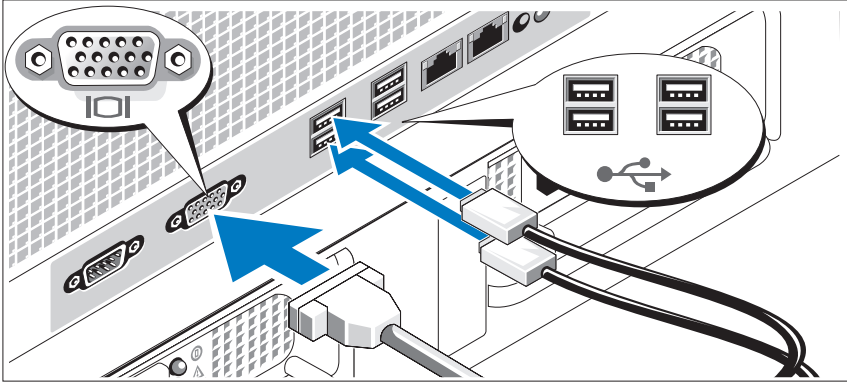


- 2 시스템의 랙 설치 안내서에 나와 있는 "안전 지침"을 읽은 후에 레일과 시스템을 랙에 설치합니다.

랙에 시스템을 설치하는 자세한 지침은 랙 설치 안내서를 참조하십시오.

타워 시스템의 경우 시스템과 함께 제공되는 설명서에서 시스템 고정 다리 설치 방법을 참조하십시오.

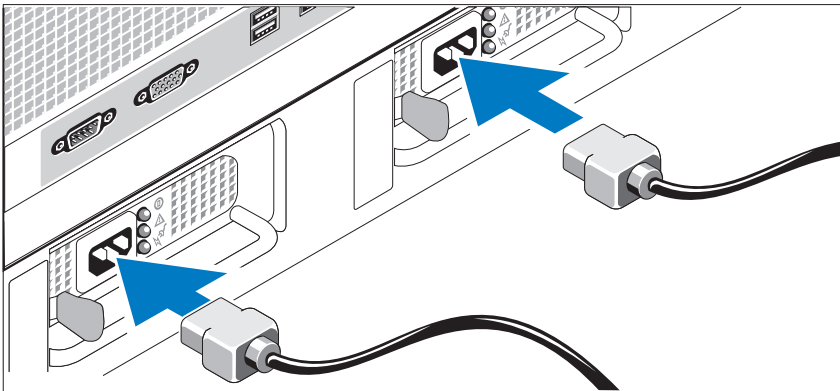
## 키보드, 마우스 및 모니터 연결



- 3** 키보드, 마우스 및 모니터(옵션)를 연결합니다.

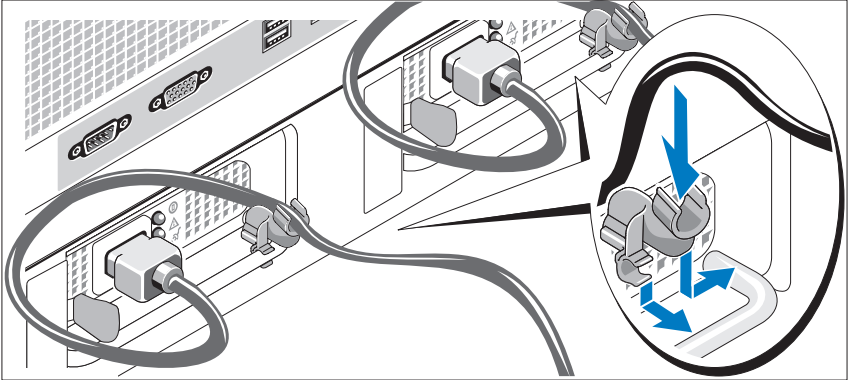
시스템 후면에 있는 커넥터에는 각 커넥터에 연결될 케이블이 표시된 아이콘이 있습니다. 모니터의 케이블 커넥터에 있는 나사(해당하는 경우)를 단단히 고정하십시오.

## 전원 연결



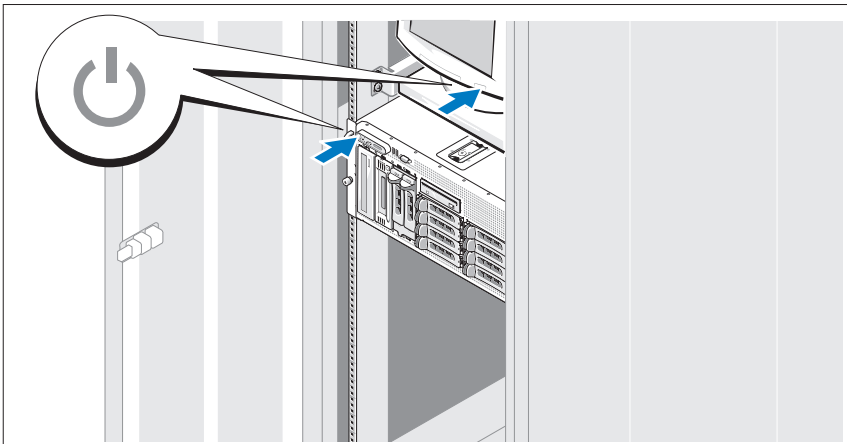
- 4** 시스템의 전원 케이블을 시스템에 연결합니다.
- 5** 케이블의 반대쪽 끝을 접지된 전원이나 UPS(Uninterruptible Power Supply) 또는 PDU(Power Distribution Unit)와 같은 별도의 전원에 연결합니다.

## 전원 코드 고정 브래킷 연결



- 6** 전원 공급 장치 핸들의 오른쪽 밴드에 있는 전원 코드 고정 브래킷을 연결합니다. 그림과 같이 시스템 전원 케이블을 고리 안으로 구부려서 브래킷의 케이블 걸쇠에 연결합니다. 두 번째 전원 공급 장치에 대해서도 이 과정을 반복합니다.

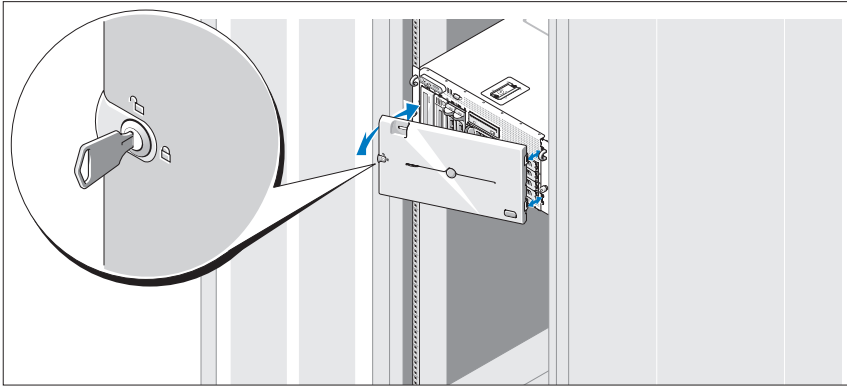
## 시스템 켜기



- 7** 시스템과 모니터(선택 사양)의 전원을 켭니다.

시스템 및 모니터의 전원 단추를 누릅니다. 그러면 전원 표시등이 켜집니다. 화면 상태가 만족스러울 때까지 모니터의 컨트롤을 조정합니다.

## 베젤 설치



**8** 베젤(선택 사양)을 설치합니다.

## 운영 체제 설치 완료

시스템 구입시 운영 체제가 미리 설치되어 있는 경우에는 시스템과 함께 제공되는 운영 체제 설명서를 참조하십시오. 운영 체제를 처음으로 설치하려면 **빠른 설치 안내서**를 참조하십시오. 시스템과 함께 구입하지 않은 하드웨어 또는 소프트웨어를 설치하기 전에 운영 체제가 설치되어 있는지 확인하십시오.

## 기술 사양

---

### 프로세서

프로세서 유형

하나 또는 두 개의 듀얼 코어 Intel Xeon 프로세서 5000 Sequence

---

### 확장 버스

버스 유형

PCI, PCI-X, PCIe

### 확장 슬롯

PCI-X

전체 높이, 전체 길이 3.3V, 64비트, 133-MHz 1개 (슬롯 1 및 슬롯 2)

---

## 확장 버스 (계속)

---

PCIe	8배폭 레인 3.3V 1개(슬롯 3) 4배폭 레인 3.3V 3개(슬롯 4 ~ 슬롯 6)
------	---

---

## 메모리

---

아키텍처	533MHz 또는 667MHz(이용 가능한 경우) FBD(Fully Buffered DIMM)
메모리 모듈 소켓	240핀 12개
메모리 모듈 용량	256MB, 512MB, 1GB, 2GB 또는 4GB
최소 RAM	512MB(256MB 모듈 2개)
최대 RAM	48 GB

---

## 드라이브

---

하드 드라이브	3.5인치 내장 핫플러그형 SAS 또는 SATA 최대 10개 <ul style="list-style-type: none"><li>• 내장 드라이브 베이에 8개 드라이브</li><li>• 선택 사양인 1x2 플렉스베이 후면판 확장에 2개 드라이브</li></ul>
디스켓 드라이브	3.5인치, 1.44MB 드라이브(옵션) 1개외장형 USB 3.5인치, 1.44MB 드라이브(선택 사양)
광학 드라이브	선택 사양인 CD, DVD 또는 CD-RW/DVD 콤보 1개 <b>주: DVD</b> 장치는 데이터 전용입니다. 외장형 USB CD-ROM(선택 사양) 외장형 USB DVD-ROM(선택 사양)
플래쉬 드라이브	외장형 USB(선택 사양)

---

## 커넥터

---

### 후면

NIC	TOE 가능 RJ-45(내장형 1GB NIC용) 2개
직렬	9핀, DTE, 16550 호환
USB	4핀 4개, USB 2.0 호환
비디오	15핀 VGA

---

## 커넥터 (계속)

---

### 전면

비디오	15핀 VGA
USB	4핀 2개, USB 2.0 호환

---

### 비디오

비디오 유형	ATI ES1000 비디오 컨트롤러; VGA 커넥터
비디오 메모리	16MB DDR SDRAM

---

### 전원

#### AC 전원 공급 장치(전원 공급 장치마다)

와트	930 W
전압	90~264VAC, 자동 범위 조정, 47~63Hz
열 손실	최대 2697 BTU/hr
최대 유입 전류	일반적인 라인 상태나 전체 시스템의 작동 범위에서는 최대 유입 전류가 10ms 이하 동안 전원 공급 장치당 55A에 달할 수 있습니다.

### 전지

시스템 전지	CR 2032 3.0V 리튬 이온 코인 셀
RAID 전지(선택 사양)	4.1V 리튬 이온

---

### 규격

#### 랙

높이	21.77 cm(8.57인치)
너비	44.27cm(17.43인치) - 새시만 48.27cm(19인치) - 랙 플랜지 포함
깊이	66.13cm(26.04인치) - 제어판 또는 베젤 미포함; 제어판 포함시 1.3cm(0.51인치) 추가
무게(최대 구성시)	45.36 kg (100 lb)



---

## 규격 (계속)

---

### 타워 (베젤 미장착)

높이	47.89cm(18.85인치) - 다리 포함, 캐스터 미포함
너비	22.66 cm(8.92 인치)
깊이	66.13cm(26.04인치) - 제어판 또는 베젤 미포함; 제어판 포함시 1.3cm(0.51인치) 추가
무게(최대 구성시)	49.9 kg(110 lb)

---

## 환경

---

**주:** 특정 시스템 구성 환경 측정에 대한 추가내용은 기술 지원 공급업체에 문의하십시오.

### 온도

작동	10° ~ 35°C (50° ~ 95°F)
보관	-40° ~ 65°C (-40° ~ 149°F)

### 상대 습도

작동	20% ~ 80%(비응축), 시간당 10%의 최고 습도 변화
보관	5% ~ 95%(비응축)

### 최대 진동

작동	Z축에서 2분 동안 5-350Hz에서 0.26G
보관	모든 방향에서 15분 동안 10-250Hz에서 1.54G

### 최대 충격

작동	최대 2ms 동안 (+) z축으로 41G의 충격 펄스 (시스템 각 면에 1회의 펄스) 1회
보관	최대 2ms 동안 (+/-) x, y, z축으로 71G의 연속 충격 펄스(시스템 각 면에 1회의 펄스) 6회

### 고도

작동	-16 ~ 3,048m(-50 ~ 10,000피트)
보관	-16 ~ 10,600 m(-50 ~ 35,000피트)

---



# 색인

## C

CD-RW/DVD 콤보 드라이브 , 61

## N

NIC, 62

## S

SMP(Symmetric  
MultiProcessor), 61

## ㄱ

기술 사양 , 68

기술 지원 , 63

## ㄴ

내장형 RAID 컨트롤러 , 62

## ㅁ

메모리 , 61  
인터리빙 , 61

## ㅂ

비디오 컨트롤러 , 62

## ㅅ

설치 및 구성 , 64  
시스템 특징 , 61  
CD 드라이브 , 61  
DVD 드라이브 , 61  
NIC, 62  
SMP(Symmetric  
MultiProcessor), 61  
USB, 62  
디스켓 드라이브 , 61  
메모리 , 61  
비디오 컨트롤러 , 62  
원격 액세스 컨트롤러 카드 , 62  
전원 공급 장치 , 61  
프로세서 , 61

## 오

- 원격 시스템 관리
  - 원격 액세스 컨트롤러 카드, 62
- 원격 액세스 컨트롤러
  - 원격 시스템 관리, 62
- 원격 액세스 컨트롤러 카드, 62

## 자

- 지원되는 운영 체제, 63

## 표

- 프로세서, 61

## ㅎ

- 확장 카드 케이지, 62